



Undercounter Dishwasher

PRODUCT MODEL NUMBERS

TUD1000R	TUD6710S
TUD4700M	TUD6710W
TUD4700S	TUD6750R
TUD4700W	TUD6750S
TUD6700P	TUD6900P
TUD6710P	

Electrical: 120-volt, 60 Hz, AC-only, 15- or 20-amp. electrical supply. Use copper wire only. A time-delay fuse or circuit breaker and separate circuit is recommended.

Water: A hot water line with 20-120 psi (138-862 kPa) water pressure. Water temperature must be 120°F (49°C) at dishwasher. Use 3/8" O.D. copper tubing with compression fitting (1/2" minimum plastic tubing is optional but not recommended). Use a 90° elbow with 3/8" N.P.T. external pipe threads on one end to connect to water inlet valve. Do not solder within 6" (15.2 cm) from water inlet valve.

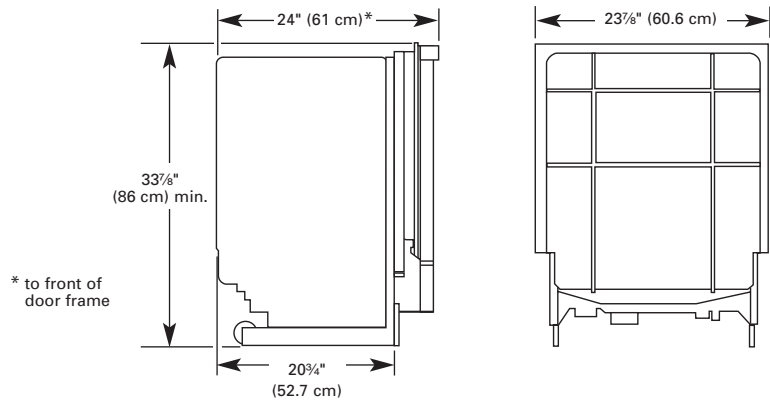
Drain: Use the new drain hose supplied with your dishwasher. If this is not suitable, use a new drain hose with a maximum length of 12 ft (3.7 m) that meets all current AHAM/IAPMO test standards, is resistant to heat and detergent, and fits the drain connector of the dishwasher. Must have a high drain loop 20" (50.8 cm) above the subfloor or floor. Connect drain hose to waste tee or disposer inlet above drain trap in house plumbing and 20" (50.8 cm) minimum above the floor. An air gap must be used if the drain hose is connected to house plumbing lower than 20" (50.8 cm) above subfloor or floor. Use 1/2" minimum I.D. drain line fittings.

Corner location: Requires a 2" (5.1 cm) minimum clearance between the side of the dishwasher door and wall or cabinet.

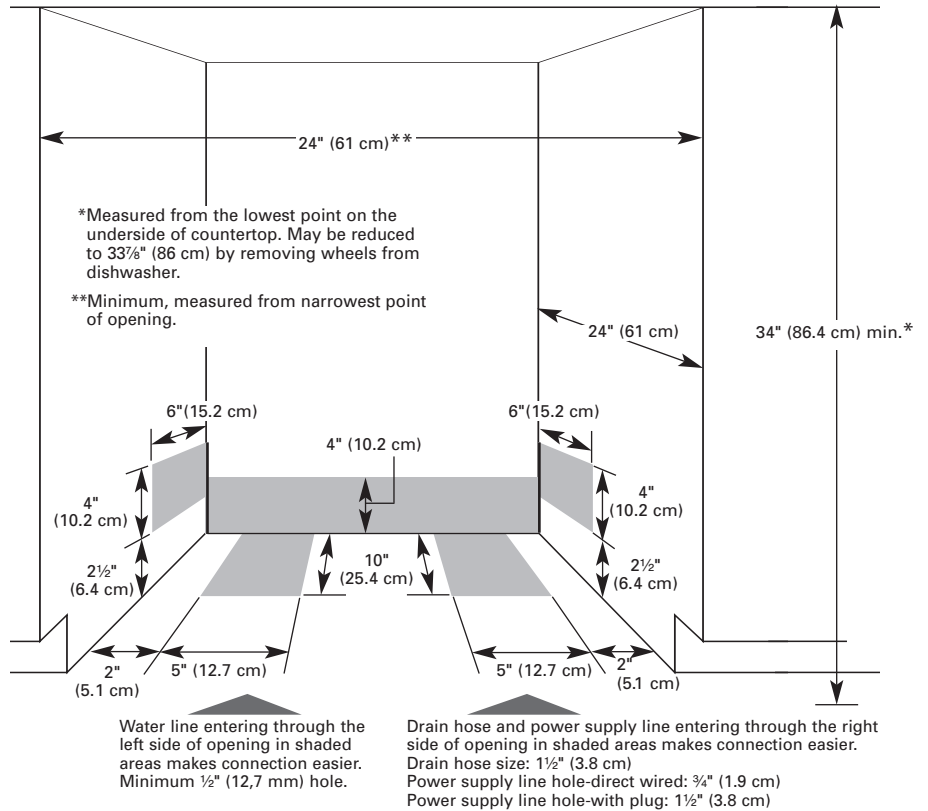
A side panel kit is available from your dealer for installing your dishwasher at end of cabinet.

Do not install dishwasher over carpeted floor.

OVERALL DIMENSIONS

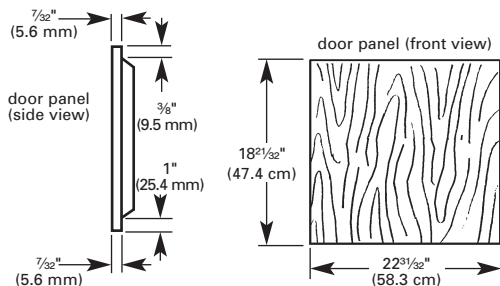


CABINET OPENING DIMENSIONS

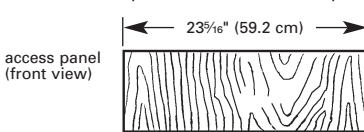


CUSTOM FRONT PANEL DIMENSIONS (Framed)

These panels fit only models with frames around the door and access panels.



NOTE: Access panel is wider than door panel.



All edges routed to 7/32" (5.6 mm) thickness.

